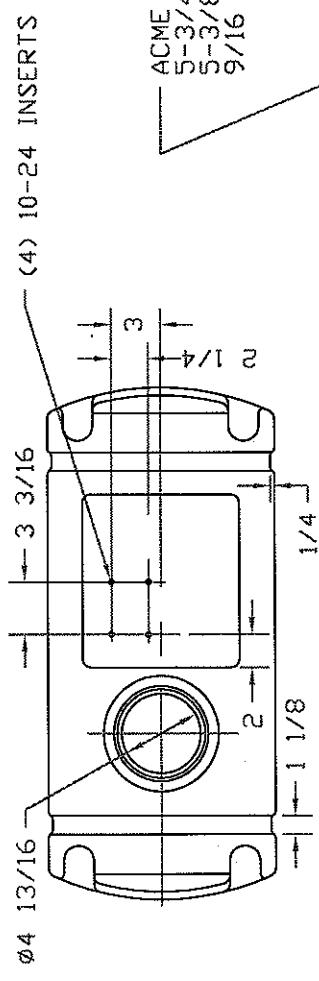
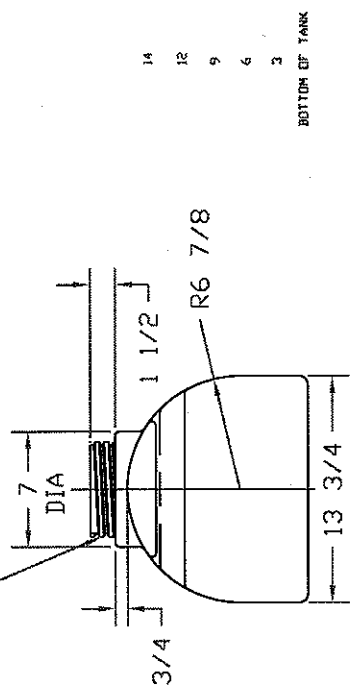
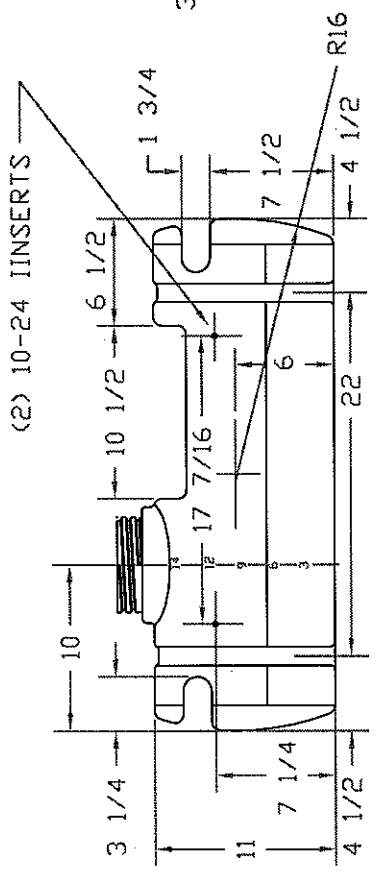


REVISIONS				
ZONE	REV	DESCRIPTION	DATE	APPROVED
	A	REDRAWN	19AUG97	
	B	LID THREAD REVISED	09FEB00	

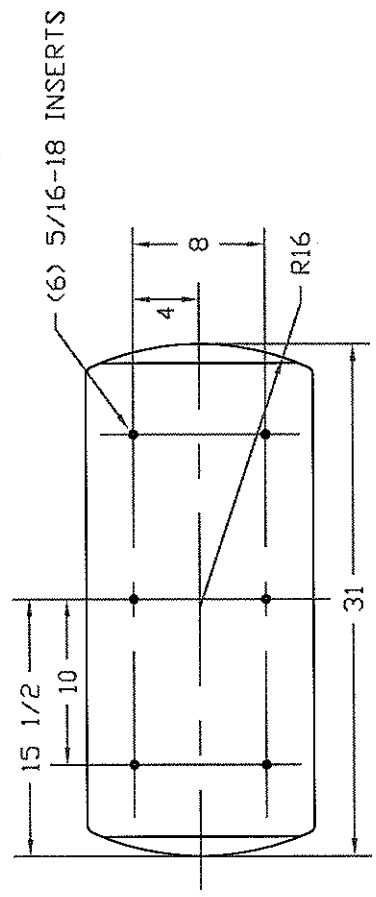


ACME THREAD
 5-3/4 MAJOR DIA
 5-3/8 MINOR DIA
 9/16 PITCH



14
 12
 9
 6
 3
 BOTTOM OF TANK

GALLON MARKER LOCATIONS



NORWESCO
 ST. BONIFACIUS, MN
 14 GALLON SPOT
 SPRAYER TANK

JTP	19AUG97	SCALE 1/8	SHEET
SIZE B	FSCM NO.	DWG NO.	REV B